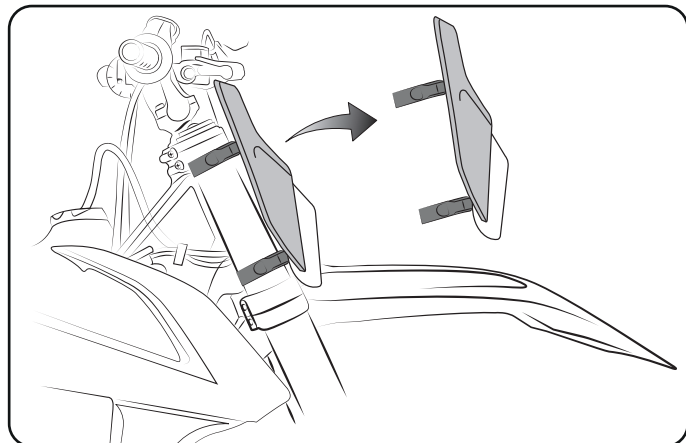
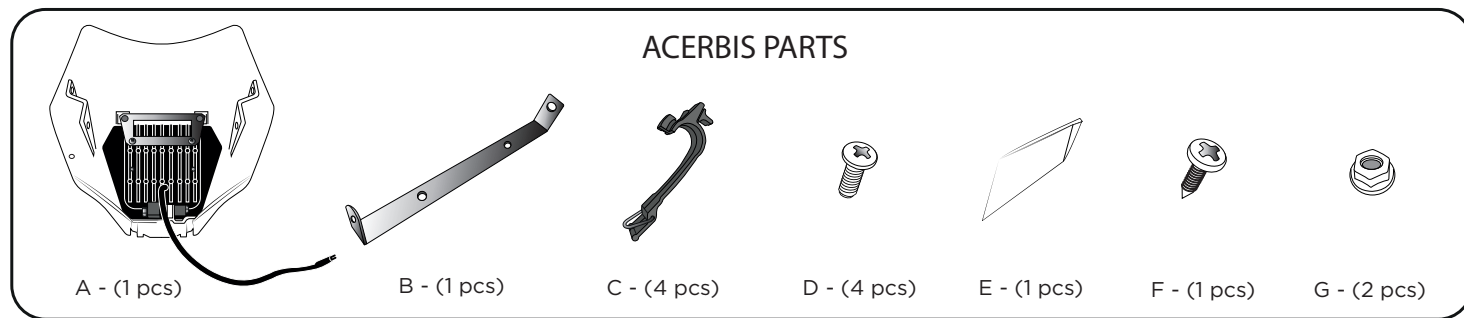


HEADLIGHT VSL UNIVERSAL MASCHERINA VSL UNIVERSALE

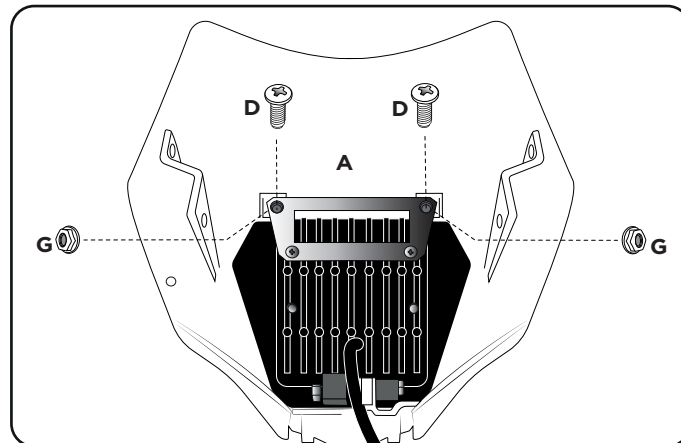
ACERBIS

COD. 50007776 REV.1



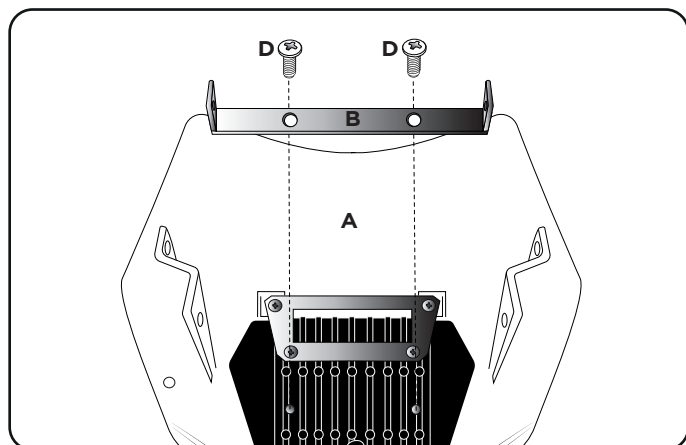
1 - Remove the original headlight.

1 - Rimuovere la mascherina originale.



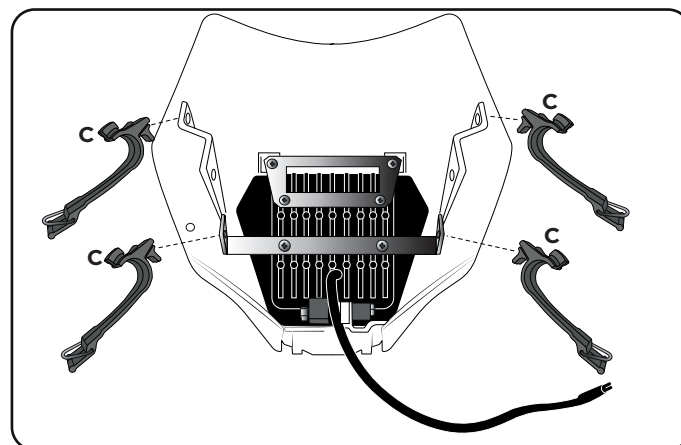
2 - Tighten the top bracket to the headlight (A) using the screws (D) and the nuts (G).

2 - Assemblare la staffa superiore alla mascherina (A) fissandola attraverso le viti (D) e i dadi (G).



3 - Tighten the central bracket (B) to the headlight (A) using the screws (D).

3 - Assemblare la staffa centrale (B) alla mascherina (A) fissandola attraverso le viti (D).



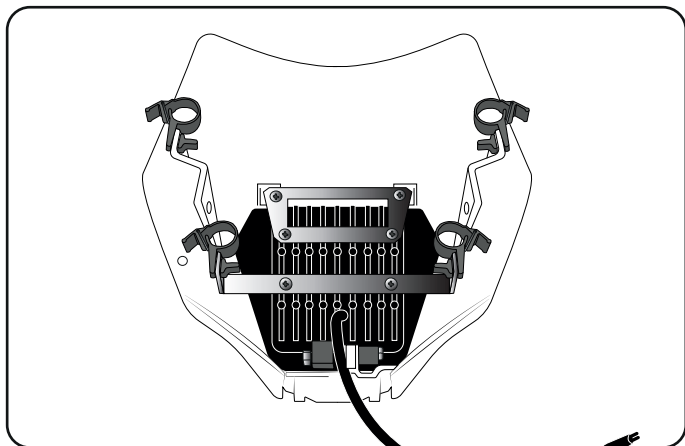
4 - Insert the rubber bands (C) into the corresponding holes.

4 - Assemblare gli elastici (C) infilandoli nei rispettivi fori.

HEADLIGHT VSL UNIVERSAL MASCHERINA VSL UNIVERSALE

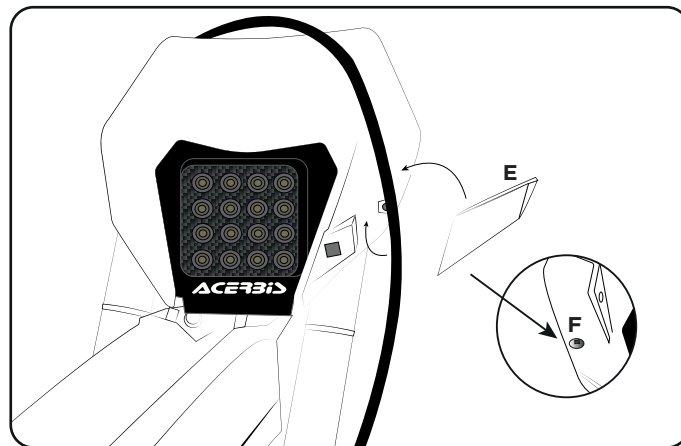
ACERBIS

COD. 500007776 REV.1



5 - Check that the rubber bands are mounted as shown in the figure.

5 - Verificare che gli elastici siano montati nel modo rappresentato in figura.

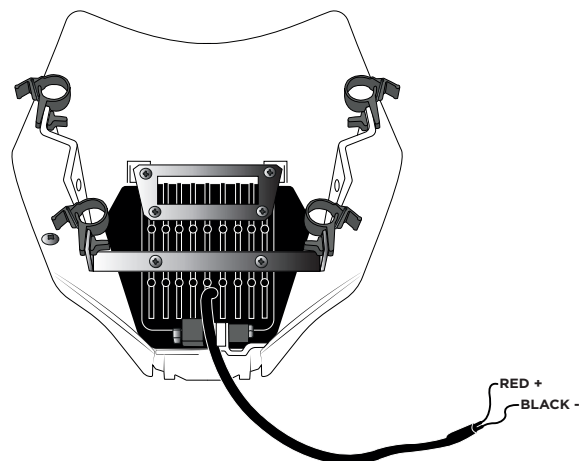


6 - Place the headlight on the bike and slide the cable, then apply the spoiler (E).

6 - Dopo aver montato la mascherina sulla moto, far passare il tubo e applicare lo spoiler (E) avvitandolo con la vite (F).

WARNING:
**THE HEADLIGHT MUST BE CONNECTED TO A MOTORCYCLE
WITH BATTERY SYSTEM WITH DIRECT CURRENT
MIN 9V - MAX 32V**

ATTENZIONE:
**IL FARO DEV'ESSERE COLLEGATO AD UNA MOTOCICLETTA
A IMPIANTO BATTERIA CON CORRENTE CONTINUA
MIN 9V - MAX 32V**



WARNING!

Use at your own risk. Check the security of your device before you ride. Be sure that you follow the instructions installing the Acerbis products. Do not ride if there is missing or damaged hardware. If this is the case, take the item immediately back to your dealer. Make sure the throttle and other controls are free every time you ride. Lack of attention to instruction and warning could lead to interference with the controls, loss of control, and an accidents. Acerbis recommends that installation must be done by a licensed mechanic and that only Acerbis original parts are used during fitting. Acerbis makes no guarantees or representations, express or implied, regarding the fitness of its products for any particular purpose. Acerbis makes no guarantees or representations, express or implied, regarding the extent to which its product protect individuals or property from injury or death or damage.

ACERBIS ITALIA S.P.A. VIA SERIO, 37 - 24021 ALBINO (BG) - ITALY

Phone +39 035773577 - Fax +39 035773570 - INFOMOTO@ACERBIS.IT - WWW.ACERBIS.COM

ACERBIS U.S.A. Inc.

MAIL P.O. BOX 2030 SUN VALLEY, ID 83353 SHIP 110 LINDSAY CIRCLE KETCHUM, ID 83340

Phone (800) 659-1440 - Fax (208) 726-7039 - INFOUSA@ACERBIS.COM

ACERBIS U.K. Ltd

UNIT 2 LUTON ENTERPRISE PARK SUNDON PARK ROAD LUTON, BEDFORDSHIRE LU3 3GU GREAT BRITAIN

Phone +44 1582491076 - Fax +44 1582499639 - UKINFO@ACERBIS.IT